

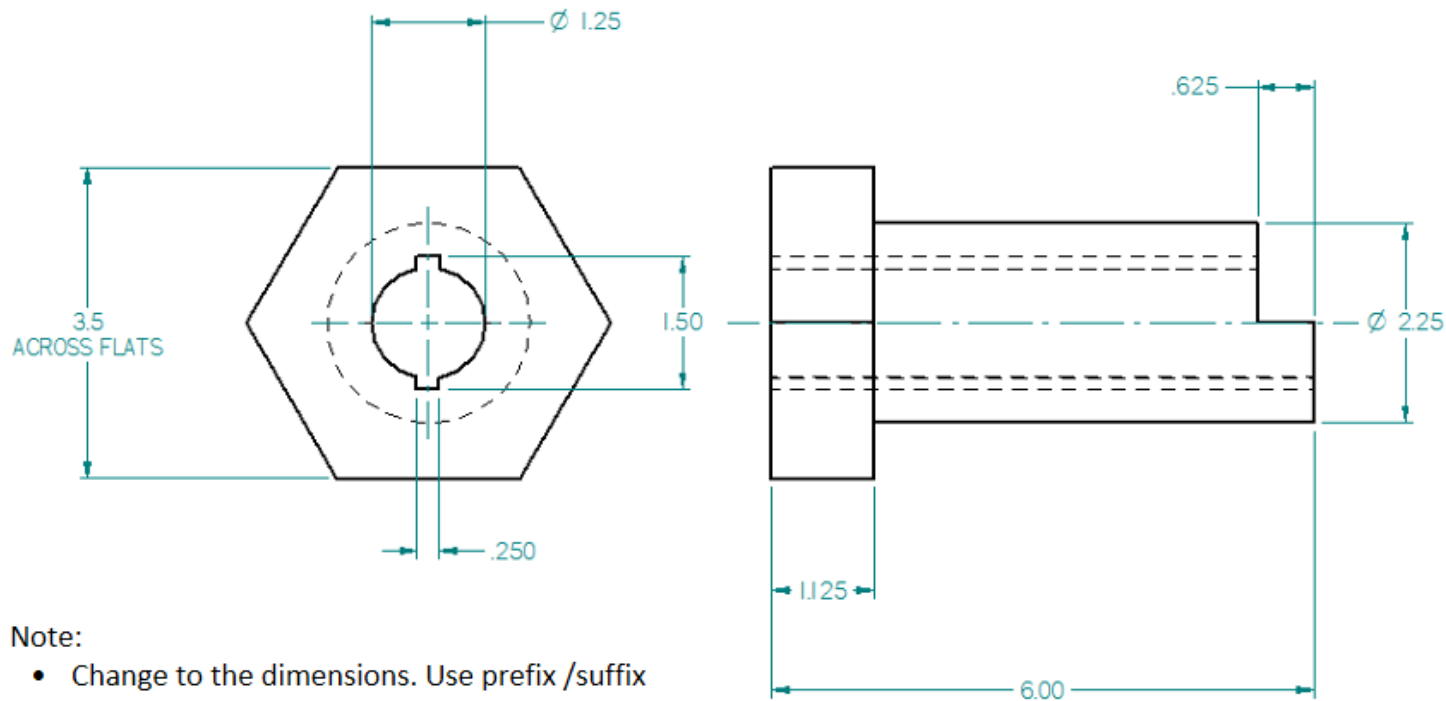
2D – Assignment 3

Georgian Bay Community School
Technological Studies Department



- Duplicate this two view orthographic drawing. Complete with all object, hidden and centre lines. Dimension the part as shown.
- Print out drawing on "A" size drawing sheet
- All dimensions are in inches

To start this drawing you must use the ANSI INCH Template



Note:

- Change to the dimensions. Use prefix /suffix to modify the text of the dimension.
- Match the number of decimal places by changing the properties of the "individual" dimensions.

Fixes: There are two fixes that you need to do!

1. Center line on the right view needs help. (why?)
2. Extension line off arcs in the front view. Need more gap space.