

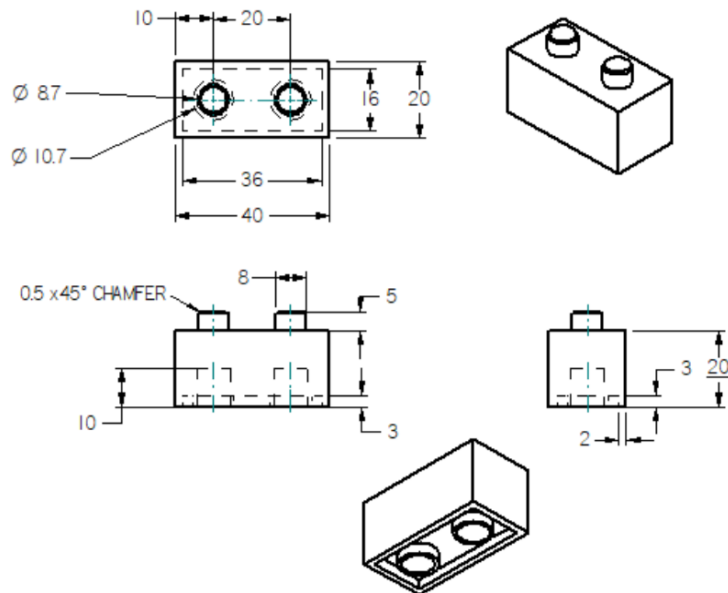
3D Model- Lego Block – Assignment 7

Georgian Bay Community School
Technological Studies Department



In this assignment you will design a 3D model for a modified Lego block. You will add your name to the face of the block and learn how to 3D print. Your block will be added to a block wall of names!

Here is a drawing showing both orthographic and isometric views of the block, including dimensions. You will use the drawing to create your own model in Solid Edge. Do not create a drawing page, just the model for 3D printing.

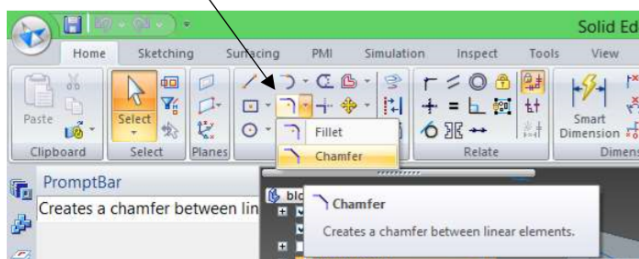


Use the skills you learned while completing the HUB drawing. Refer to the same tutorial if need be.

There are 2 new tools you will employ for this model;

1. Chamfer tool
2. Text Tool

You will add a “chamfer” (a tapered edge) to the pegs on top of your block. The **chamfer tool** can be found [here](#) in the home window.



In the **Chamfer tool** window;

set angle to 45° and the setbacks A and B to 0.5mm



The **Text tool** can be found in the sketching window. Place the text (your name) on the front face of the block. Change the font to **Arial Black**.

Text Tool

