

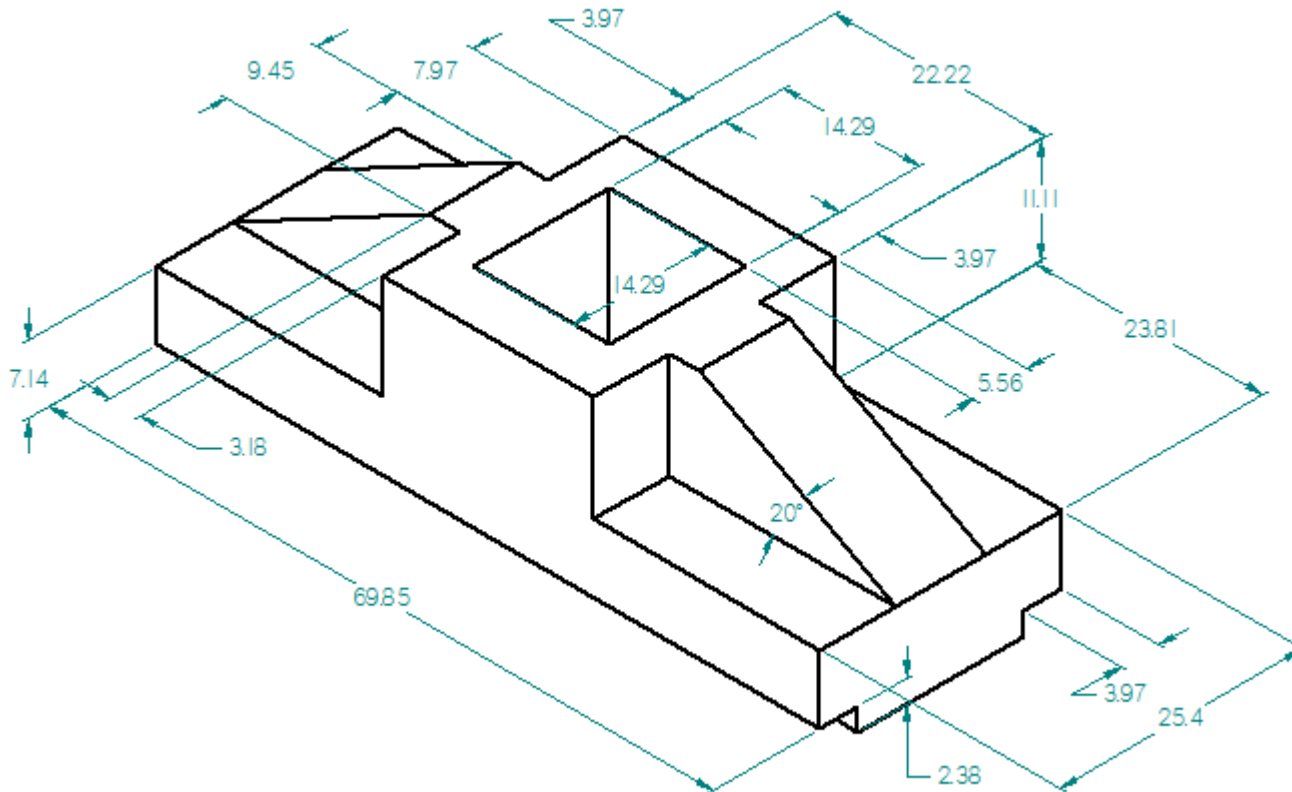
3D – Tool Block - Assignment 6

Georgian Bay Community School
Technological Studies Department



Instruction:

1. Duplicate "Tool Guide" using 3D modeling. Note: All dimensions are in mm
2. Once completed make 3 orthographic views using the drawing view wizard. Present views on an "A" ANSI metric sheet.
3. Dimension the drawing completely.
4. Print out and hand in.



Must haves:

For this assignment to be complete you must have used the following features

- Protrusion (Extrude)
- Cut
- Mirror

and ...

- Convert the 3D model to 3 - 2D orthographic views using the drawing view wizard.
- Dimension the views completely.
- Fill in "title block"
- Print and hand in.