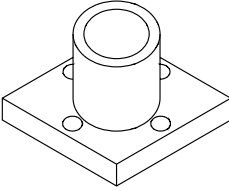
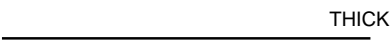
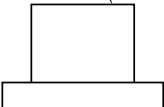
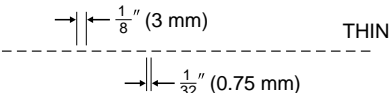
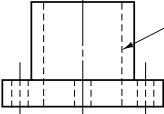
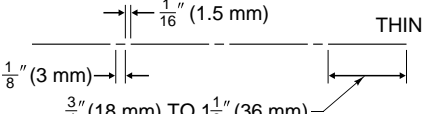
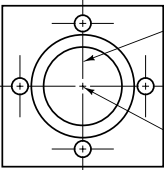
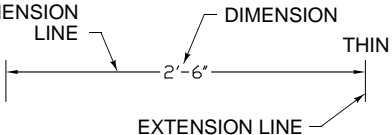
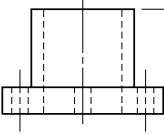
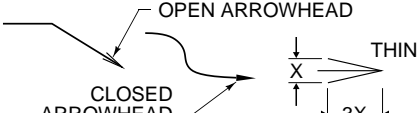
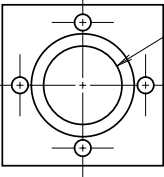
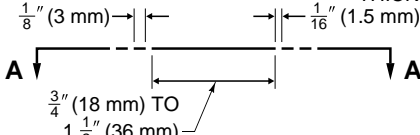
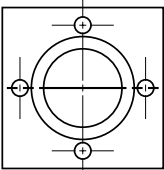
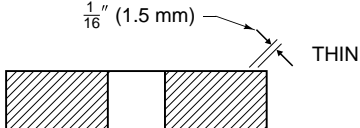
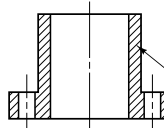
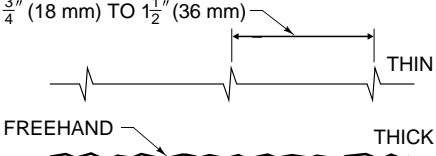
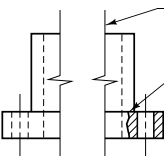


ALPHABET OF LINES

NAME AND USE	CONVENTIONAL REPRESENTATION	EXAMPLE	
<p>OBJECT LINE Define shape. Outline and detail objects.</p>	 THICK	<p>OBJECT LINE</p> 	
<p>HIDDEN LINE Show hidden features.</p>	 THIN	 HIDDEN LINE	
<p>CENTER LINE Locate centerpoints of arcs and circles.</p>	 THIN	 CENTER LINE CENTERPOINT	
<p>DIMENSION LINE Show size or location.</p> <p>EXTENSION LINE Define size or location.</p>	 DIMENSION LINE DIMENSION EXTENSION LINE	 DIMENSION LINE EXTENSION LINE	
<p>LEADER Call out specific features.</p>	 OPEN ARROWHEAD CLOSED ARROWHEAD THIN 3X	 1 1/2 DRILL LEADER	
<p>CUTTING PLANE Show internal features.</p>	 THICK A 3/4 (18 mm) TO 1 1/2 (36 mm)	 LETTER IDENTIFIES SECTION VIEW CUTTING PLANE LINE	
<p>SECTION LINE Identify internal features.</p>	 THIN 1/16 (1.5 mm)	 SECTION LINES	
<p>BREAK LINE Show long breaks.</p> <p>BREAK LINE Show short breaks.</p>	 THIN THICK FREEHAND	 LONG BREAK LINE SHORT BREAK LINE	