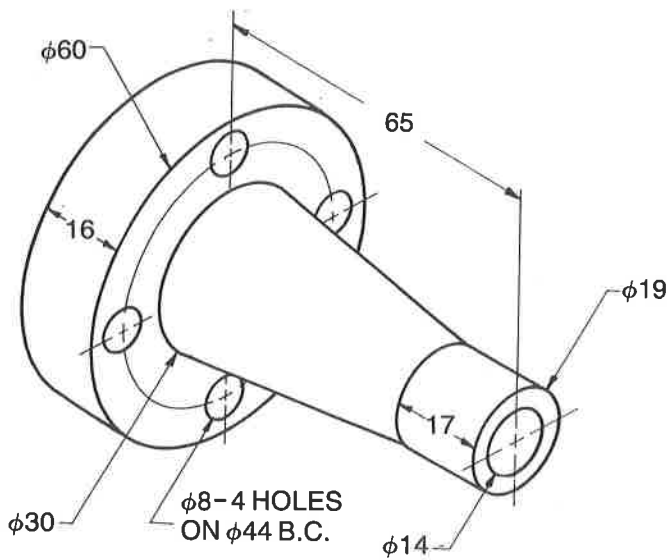


COUPLING
FULL SIZE

DRAW THE FOLLOWING
ORTHOGRAPHIC VIEWS

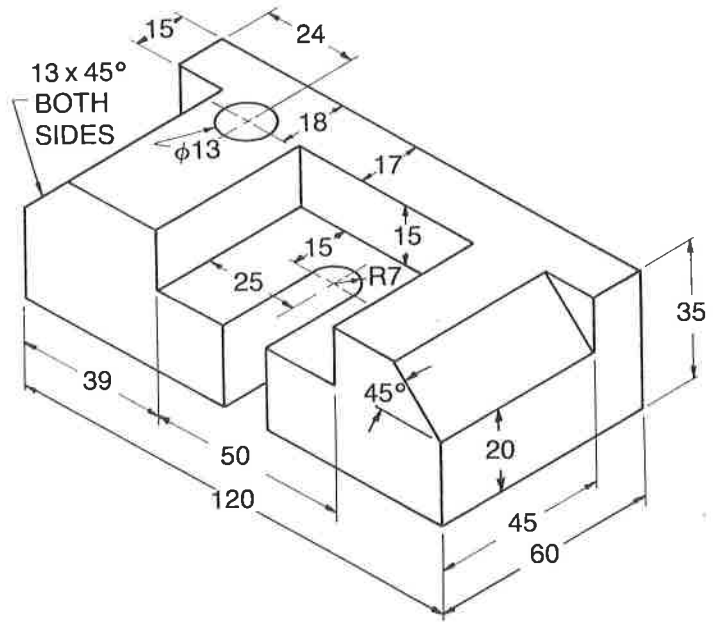
- 1) FRONT VIEW
- 2) HALF-SECTIONED SIDEVIEW



TAPERED SHAFT
FULL SIZE

DRAW THE FOLLOWING
ORTHOGRAPHIC VIEWS

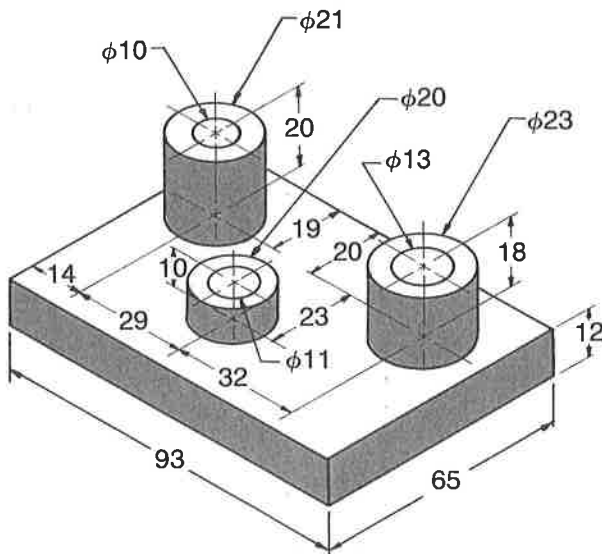
- 1) FRONT VIEW
- 2) HALF-SECTIONED SIDEVIEW



JIG BLOCK
FULL SIZE

DRAW THE
FOLLOWING VIEWS
USING ORTHOGRAPHIC PROJECTION

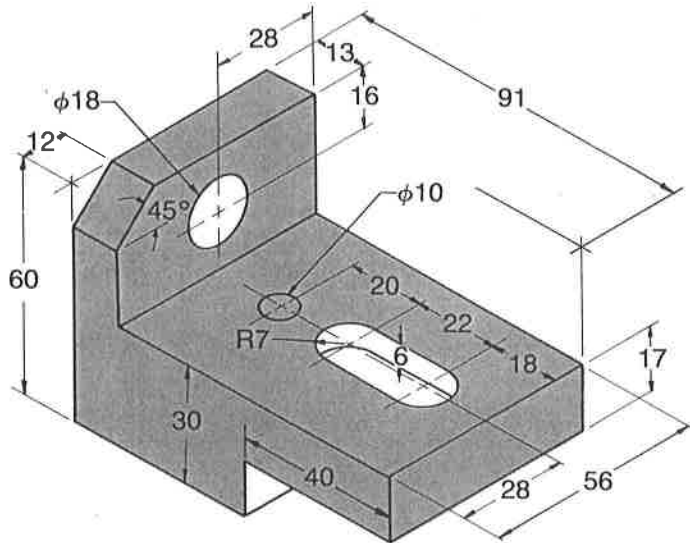
- 1) TOP VIEW
- 2) RIGHT SIDE VIEW
- 3) SECTIONED FRONT VIEW



BASE PLATE
FULL SIZE

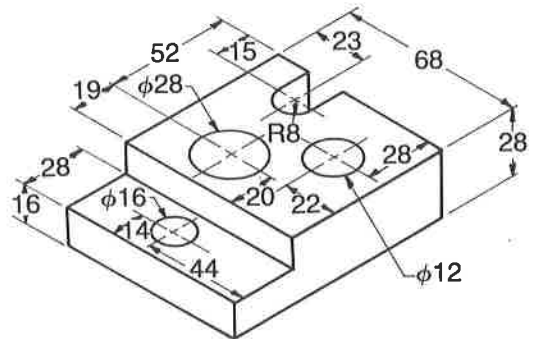
DRAW THE FOLLOWING VIEWS
ORTHOGRAPHICALLY

- 1) TOP VIEW
- 2) RIGHT SIDE VIEW
- 3) SECTIONED FRONT VIEW



STEP SUPPORT
FULL SIZE

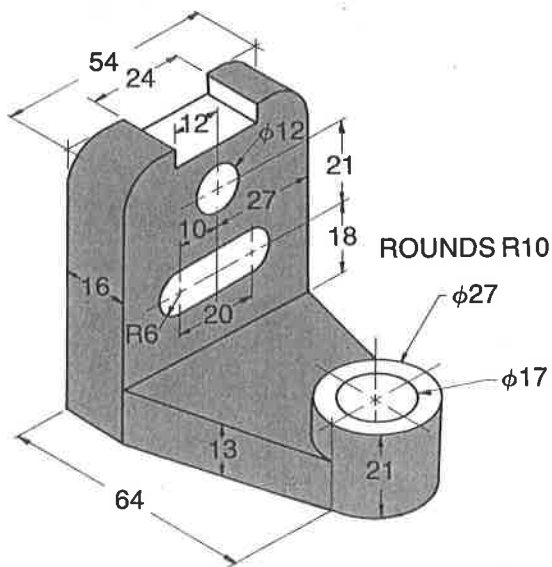
DRAW TOP, RIGHT SIDE
AND SECTIONED FRONT VIEW



BLOCK FULL SIZE

DRAW THE FOLLOWING VIEWS
USING ORTHOGRAPHIC PROJECTION

- 1) TOP VIEW
- 2) SIDE VIEW
- 3) SECTIONED FRONT VIEW



CLAMP BRACKET
FULL SIZE

DRAW TOP AND SIDE
VIEWS AND A
SECTIONED FRONT VIEW